

Project Name: _____
 Location: _____
 Engineer: _____
 Submitted to: _____
 Submitted by: _____
 Reference: _____

Approval: _____
 Date: _____
 Construction: _____
 Unit #: _____
 Drawing #: _____

Performance

Indoor Unit Model No: FHQ36MVJU
Outdoor Unit Model No: RZR36PVJU
Rated Cooling Capacity (Btu/hr): 36000
Sensible Capacity (Btu/hr): 25100
Max/Min Cooling Capacity (Btu/hr / kW): databook/databook
Cooling Input Power (kW): 3.761
SEER: 14
Rated Heating Capacity (Btu/hr): N/A
Max/Min Heating Capacity (Btu/hr / kW): databook/databook
Heating Input Power (kW): N/A
Heating COP (Btu/hr / Btu/hr): N/A
HSPF: N/A

Indoor Unit Type: Ceiling Suspended
Condensing Unit Type: SkyAir Cool Only
Rated Cooling Conditions Indoor: 80°F DB/67°F WB
 Outdoor: 95°F DB/75°F WB
Rated Heating Conditions Indoor: N/A
 Outdoor: N/A
Rated Piping Length(ft) 25
Rated Height Separation(ft) 0

Indoor Unit Details

Power Supply (V/Hz/Ph): 208-230/60/1ph
Power Supply Connections: L1, L2, Ground
Min Circuit Amps MCA (A): 1.4
Max Overcurrent Amps MFA (A): 15
Dimensions (HxWxD): 7-11/16x62-5/8x26-3/4
Panel (HxWxD): N/A
Net Weight (lbs): 90
Weight with Panel (lbs):

Airflow Rate (CFM wet coil) 830//670
Moisture Removal (pt/h):
Gas Pipe Connection (inch): 5/8
Liquid Pipe Connection (inch): 3/8
Condensate Connection (inch): 1
Sound Pressure Level (dBA): 46
Sound Power Level (dBA):
Static Pressure Rated/Max (inWg) 0 / 0/0

Condensing Unit Details

Power Supply (V/Hz/Ph): 208-230/60/1ph
Power Supply Connections: L1, L2, Ground
Min. Circuit Amps MCA (A): 27
Max. Overcurrent Amps MFA (A): 30
Max. Starting Current MSC(A):
Rated Load Amps RLA (A): 18.6
Dimensions (HxWxD): 52-15/16x35-7/16x12-5/8
Net Weight (lbs): 283

Compressor Type: Inverter
Capacity Control Range (%): 25 - 100
Airflow Rate (CFM): 3740
Gas Pipe Connection (inch): 5/8
Liquid Pipe Connection (inch): 3/8
Sound Pressure Level (dBA): 58
Sound Power Level (dBA):

System Details

Refrigerant Type: R-410A
Holding Refrigerant Charge (lbs): 8.8
Additional Charge (oz/ft): 0.036lbs/ft
Pre-charge Piping (Length ft): -
Max. Pipe Length (Total ft): 230 ft

Max. Pipe Length (Vertical ft): 164 ft
Cooling Operation Range (°F): 23 - 115
Cooling Range w/Baffle (°F): 0 - 115
Heating Operation Range (°F): N/A
Heating Range w/Baffle (°F): N/A

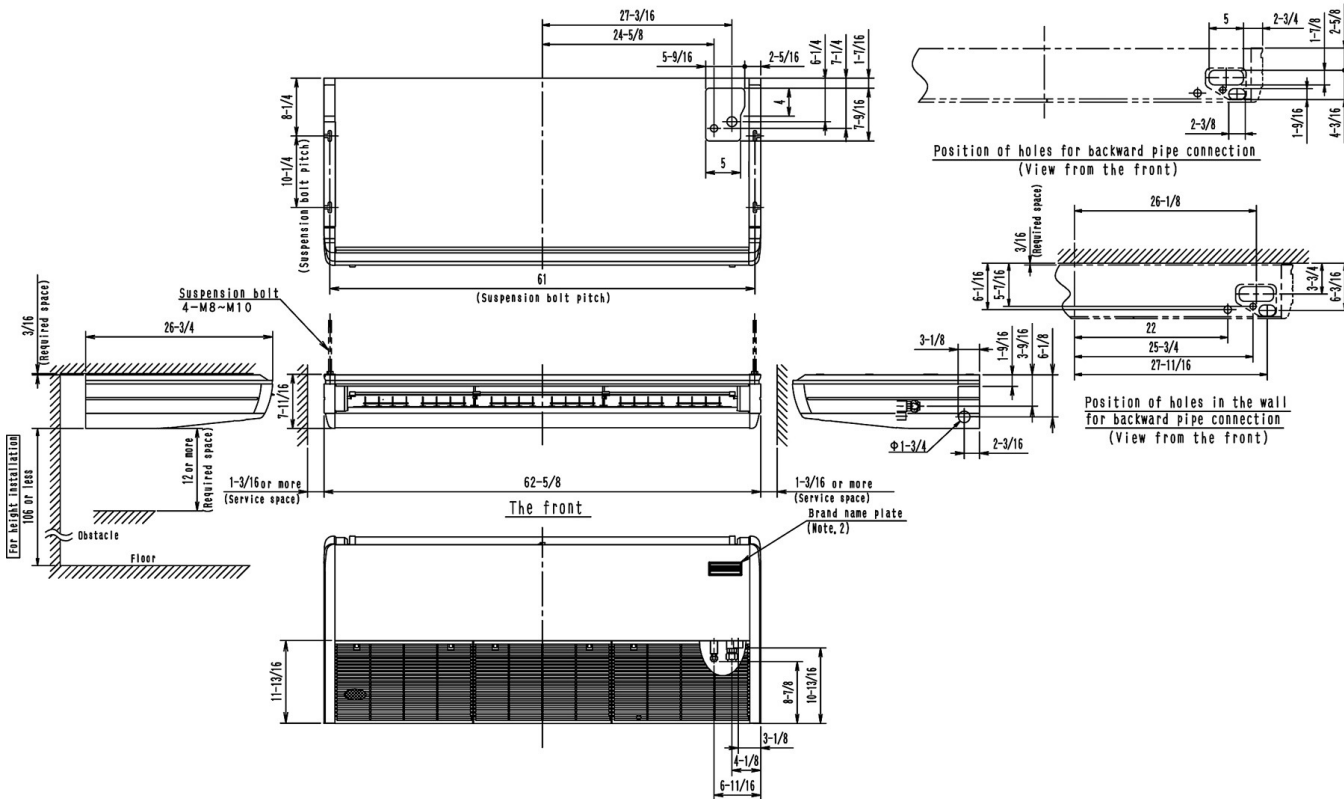
Project Name: _____
 Location: _____
 Engineer: _____
 Submitted to: _____
 Submitted by: _____
 Reference: _____

Approval: _____
 Date: _____
 Construction: _____
 Unit #: _____
 Drawing #: _____

Dimensional Drawing - Indoor Unit

FHQ36MVJU

FHQ18/24/30/36/42MVJU
 Unit (in.)

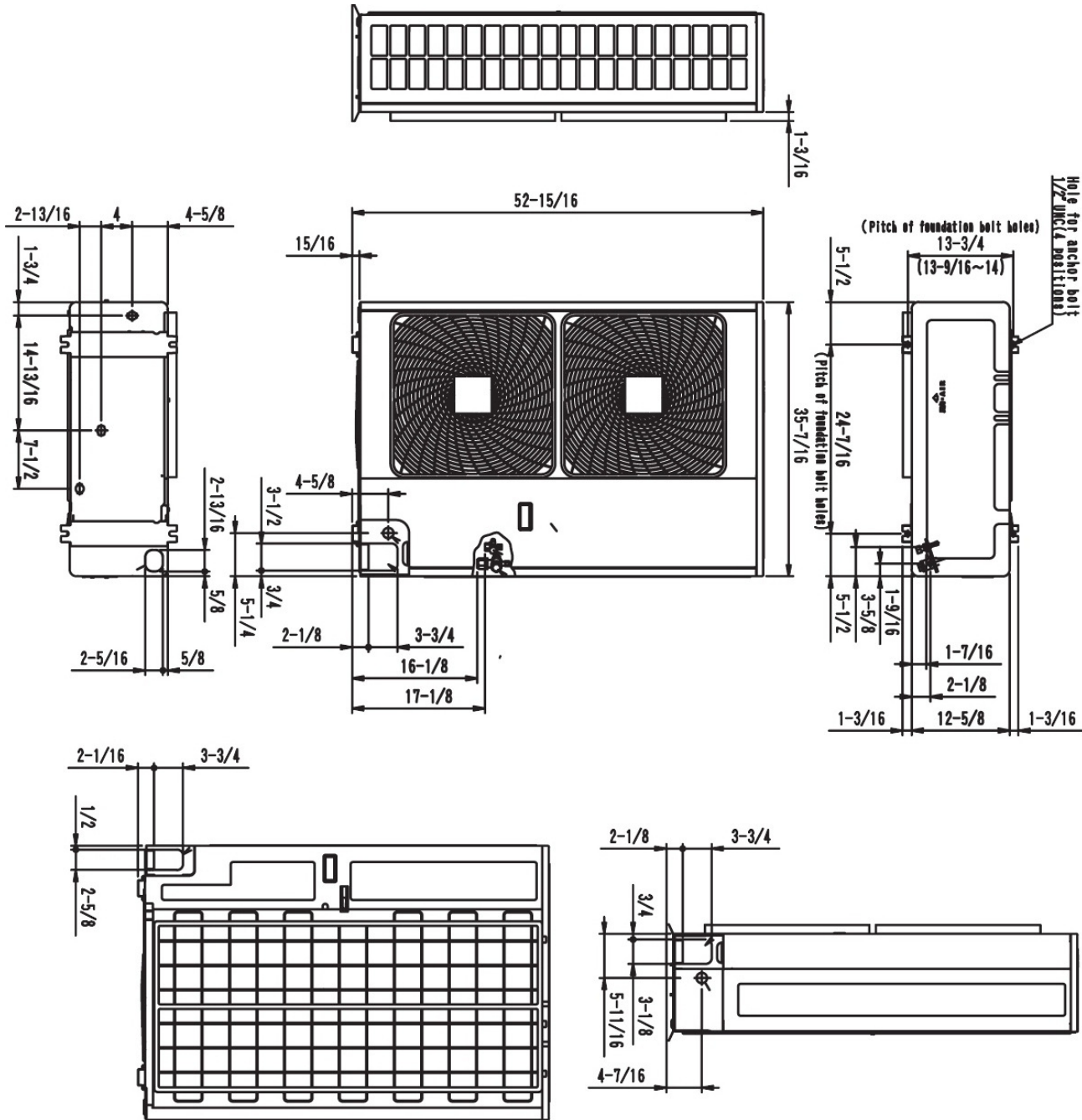


Project Name: _____
 Location: _____
 Engineer: _____
 Submitted to: _____
 Submitted by: _____
 Reference: _____

Approval: _____
 Date: _____
 Construction: _____
 Unit #: _____
 Drawing #: _____

Dimensional Drawing - Condensing Unit

RZR36PVJU



Project Name: _____
 Location: _____
 Engineer: _____
 Submitted to: _____
 Submitted by: _____
 Reference: _____

Approval: _____
 Date: _____
 Construction: _____
 Unit #: _____
 Drawing #: _____

FHQ36MVJU



RZR36PVJU



FHQ36MVJU

Std U.S. Warranty: 7yrs Compressor, 5yrs Parts

RZR36PVJU

Std U.S. Warranty: 7yrs Compressor, 5yrs Parts